

FAG

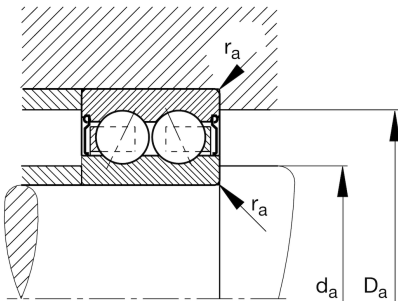
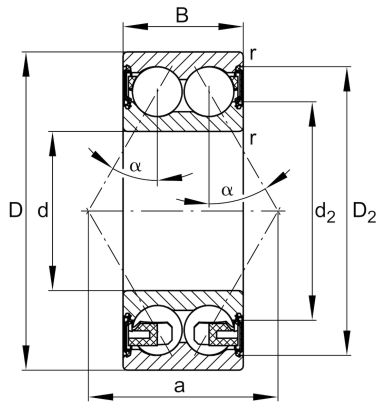
**3204-BD-XL-2HRS-TVH**

Angular contact ball bearing

Schaeffler ID:  
0625993720000Angular contact ball bearing 32..-BD-  
XL-2HRS-TVH, double row, X-life, seals,  
plastic cage

X-life

## Technical information



## Main Dimensions &amp; Performance Data

d	20 mm	Bore diameter
D	47 mm	Outside diameter
B	20,6 mm	Width
$C_r$	20.600 N	Basic dynamic load rating, radial
$C_{0r}$	12.900 N	Basic static load rating, radial
$C_{ur}$	900 N	Fatigue load limit, radial
$n_G$	12.100 1/min	Limiting speed
	0,153 kg	Weight

## Dimensions

$r_{min}$	1 mm	Minimum chamfer dimension
$D_2$	42,2 mm	Caliber diameter outer ring
$d_2$	29,2 mm	Caliber diameter inner ring
a	27,9 mm	Distance between the apexes of the pressure cones
$\alpha$	30 °	Contact angle

## Mounting dimensions

$d_{a min}$	25,6 mm	Minimum diameter shaft shoulder
$D_{a max}$	41,4 mm	Maximum diameter of housing shoulder
$r_{a max}$	1 mm	Maximum fillet radius

## Temperature range

$T_{min}$	-20 °C	Operating temperature min.
$T_{max}$	100 °C	Operating temperature max.